



HS ALLEGRA 90

For efficient working



Tradition and innovation – Since 1858 visionary thinking and a fascination with technology have guided us to develop innovative products of outstanding reliability: Anticipating trends to improve quality of life.

 **HAAG-STREIT**
SURGICAL

Enjoy Microsurgery



OUR HIGHLIGHTS:

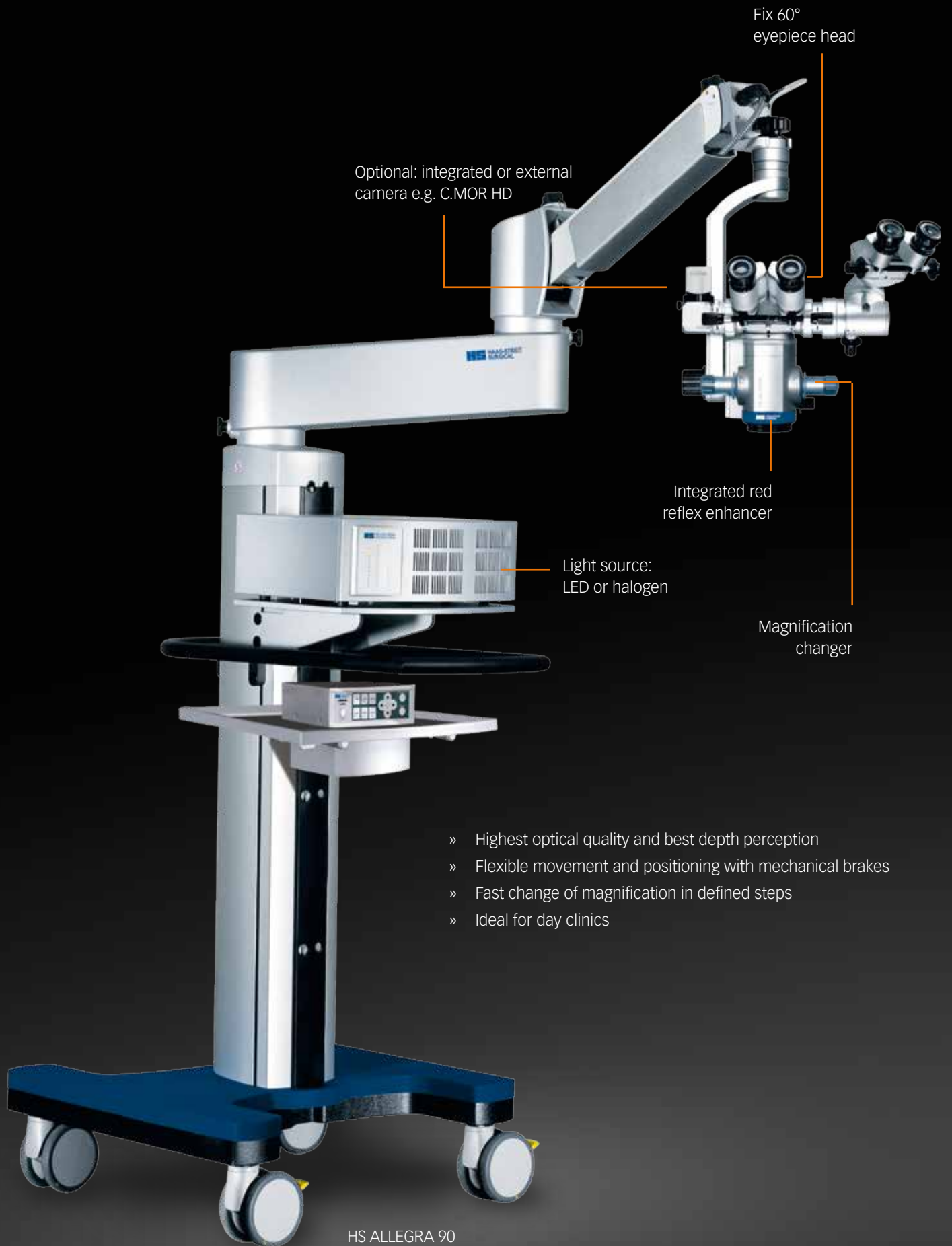
HS ALLEGRA 90 is optimized for surgical procedures in day clinics, surgical centers, and hospitals, where speed and flexibility are decisive factors. It is mainly recommended to be used for ophthalmic surgery and small ENT procedures and examinations.

The apochromatic optics provides sharp and contrasty images at any magnification. The large stereo base of 25 mm results in an exceptional depth perception.

Factory-preadjusted mechanical brakes provide extremely high movability of the microscope and safe stability in the working position. HS ALLEGRA 90 contains a 5 step magnification changer.

An X-Y coupling is helpful for horizontal tracking during ophthalmic surgery and is a focusing aid for ENT procedures. It is optionally available. HS ALLEGRA 90 is equipped with a 200 mm front lens, but objective lenses of 175 mm to 400 mm focal lengths may be chosen.





Optional: integrated or external camera e.g. C.MOR HD

Fix 60° eyepiece head

Integrated red reflex enhancer

Light source: LED or halogen

Magnification changer

- » Highest optical quality and best depth perception
- » Flexible movement and positioning with mechanical brakes
- » Fast change of magnification in defined steps
- » Ideal for day clinics

HS ALLEGRA 90
on floor stand FS 2-11 / FS 2-15



Optics, light & accessories

For ophthalmic procedures a 60° eyepiece head allows a stress-free and ergonomic working position of the surgeon. An integrated red reflex enhancer provides ideal recognition of the capsula in cataract surgery.

By removing the 60° adapter from the eyepiece head, you will have a 0° eyepiece head, required for ENT procedures. This 0° eyepiece head and the microscope inclination angles of -8° to +100° allow optimal illumination and recognition of deep cavities and small canals in the ear.

For higher flexibility HS ALLEGRA 90 is also available with a 160° inclinable eyepiece head. This can be equipped with a special ocular, the TOCULAR, for intraoperative alignment of toric IOLs. A keratoscope for axis determination of astigmatism as well as the non-contact wide-angle ophthalmoscope EIBOS 2, also HAAG-STREIT SURGICAL products, are easily adaptable.

For coobservation HAAG-STREIT SURGICAL offers a stereoscopic observer scope. Furthermore, the high-resolution monitor M.DIS can be mounted to the microscope arm. The balance of the microscope will not be affected by moving the monitor during operation. M.DIS, equipped with a touch screen, allows viewing and controlling of video recordings and snapshots during the operation.

Optionally, integrated or externally mounted video cameras, like HAAG-STREIT SURGICAL's C.MOR HD, are available.

INTRAOPERATIVE LIGHT MANAGEMENT

HS ALLEGRA 90 contains a filter disk for daylight, softlight, UV protection (yellow filter), blue light (excitation of fluorescence), and green light (better recognition of blood vessels). In addition, two spot diaphragms are integrated against glare.

HS ALLEGRA 90 with 60° eyepiece head



HS ALLEGRA 90 in ENT position



TOCULAR



KERATOSCOPE



EIBOS 2



Turning knob for the filter disk





Imaging

C.MOR HD

C.MOR HD is a full HD color video camera designed for the HAAG-STREIT SURGICAL microscope. Its ultra-compact camera head houses a 1/3" CMOS sensor that meets very high standards. With a resolution of 900 TV lines and an S/N ratio of 500 dB images are crisp and sharp. Different user settings allow for individual adjustments.



C.MON HD

With its flat design and the size of 21.5" the brilliant HD monitor C.MON HD can easily be attached to the microscope's floor stand. Its touch function can be operated even with medical gloves. Due to the planar screen and glass surface it can be disinfected easily. For the safety of the system C.MON HD is fully approved for medical use.



HS MIOS

MIOS stands for **M**icroscope **I**maging and **O**peration **S**ystem. Its prime functions are recording of operation scenes, capturing and recording of snapshots, together with proper identification of patients' and hospital data. Images and video streams can be stored on DVD-R/-RW, HDD, USB flash drive, and external USB hard disk drive or transmitted to the hospital PACS via DICOM.





Floor stand solutions



ALLOWING FULL MODULARITY

The floor stands FS 2-11 (halogen) and FS 2-15 (LED) are equipped with newly designed mechanical brakes, which are factory-preadjusted securing free-floating movements as well as stable working positions. For easy access the light source is mounted externally. A tray (with transformer) to carry a camera control unit may be fixed to the column.

HS ALLEGRA 90
on floor stand FS 2-11 / FS 2-15



SPACE SAVING SOLUTION

If only little space is available in the operating room, the floor stand FS 1-12, with mechanical brakes, a 150 W halogen light source and switchable backup lamp, is recommended in conjunction with the microscope HS ALLEGRA 90.

HS ALLEGRA 90
on floor stand FS 1-12

HAAG-STREIT SURGICAL GmbH

Rosengarten 10
 D-22880 Wedel, Germany
 Telephone +49-4103-709 04
 Fax +49-4103-709 355
 info@haag-streit-surgical.com
 www.haag-streit-surgical.com

Members of HAAG-STREIT Group

HAAG-STREIT Holding AG
www.haag-streit-holding.com

HAAG-STREIT Deutschland GmbH
www.haag-streit.de

HAAG-STREIT AG
www.haag-streit.com

I PRO GmbH
www.ipro.com

SPECTROS AG
www.spectros.ch

CLEMENT CLARKE Ltd.
www.clement-clarke.com

HAAG-STREIT Medtech AG
www.haag-streit-medtech.com

HAAG-STREIT UK
www.haag-streit-uk.com

HAAG-STREIT France EURL
www.haag-streit.fr

John Weiss Ltd.
www.johnweiss.com

HAAG-STREIT Far East
www.haag-streit-fareast.com

HAAG-STREIT USA
www.haag-streit-usa.com

HAAG-STREIT Surgical GmbH
www.haag-streit-surgical.com

Reliance Medical Inc.
www.haag-streit-usa.com

MÖLLER-WEDEL GmbH & Co KG
www.moeller-wedel.com

Asetronics AG
www.asetronics.ch

MÖLLER-WEDEL Optical GmbH
www.moeller-wedel-optical.com

ComLab AG
www.comlab.ch

HAAG-STREIT SURGICAL distributes products manufactured by MÖLLER-WEDEL through dedicated representatives as well as national sister companies globally.



While all certifications are ongoing for HAAG-STREIT-SURGICAL, MÖLLER-WEDEL maintains a Quality Management System for Medical Products in accordance with ISO 13485. MÖLLER-WEDEL not only develops innovative products but also produces them in an environmentally friendly manner. Compliance with an Environmental Management System according to ISO 14001 is the guideline. Both, the Quality Management System and the Environmental Management System are certified by TÜV.



All products are conform to the EC guidelines and are thus CE labeled.



HS ALLEGRA 90

Technical Data

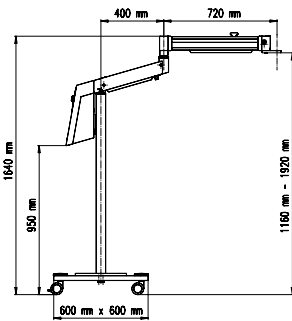




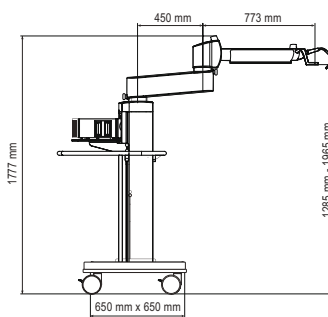
Technical Data HS ALLEGRA 90

Microscope HS ALLEGRA 90

Optics	apochromatic
Stereo base	25 mm
Focusing	-30 mm to +20 mm
Working distance, standard	200 mm
Manual magnification changer	5 steps, 3.3x to 30.3x
Diameter of the visual field	7.0 mm to 64.0 mm
Illuminated field	3 mm to 60 mm
Eyepiece head (12.5x oculars)	fix, 60° (consisting of 60° adapter and 0° eyepiece head)
Diopter settings	-7 D to +7 D
Inclination angles	-8° to +100°
X-Y coupling (optionally)	60 mm x 60 mm
Brakes	mechanical
Filter disk	2 diaphragms, 5 filters
Weight (without accessories and X-Y coupling)	5.0 kg



Floor stand
FS 1-12



Floor stands
FS 2-11 / FS 2-15

Floor stands	FS 1-12	FS 2-11	FS 2-15
Arm reach (max.)	1120 mm	1223 mm	
Swivel area	2 x 360°	2 x 300°	
Door height	1640 mm	1777 mm	
Floor stand carriage	600 mm x 600 mm	650 mm x 650 mm	
Carrying capacity	4.5 kg to 9.0 kg	4.0 kg to 15.0 kg	
Brakes	mechanical	mechanical, preadjusted	
Balancing	mechanical		
Height at oculars	839 mm to 1599 mm	964 mm to 1644 mm	
Illumination	2 x 150 W halogen	2 x 150 W halogen	2 x 50 W LED
Protection filter	UV, IR		
Operating voltage	100 VAC to 240 VAC		
Max. power consumption	400 VA	600 VA	450 VA
Weight	80 kg	198 kg	
Foot switch	2 or 6 functions	2 or 6 functions	

Ceiling units on request. Subject to alterations.